



4041NdS

12 inches bass driver

Nominal Diameter	12" / 30cm
Rated Impedance	8 Ω
Half space sensitivity (1W@1m)	98 dB SPL
Power Handling Capacity	400 W AES
SPL max (continuous)	121 dB SPL
Usable frequency range	50 - 2500 Hz
Speaker net mass	6.2 kg



Architecture Highlights

- Noiseless Natural Convection Intercooling System
- Front side coated curvilinear cone designed for 2 way systems operation
- Neodymium magnet System with symmetric BL(x) and Le(x)
- High compliance double half-roll Fabric Surround

Motor architecture

Magnet material	-	Nd
Voice coil diameter	mm	77
Voice coil length	mm	18
Air gap height	mm	10

Typical characteristics

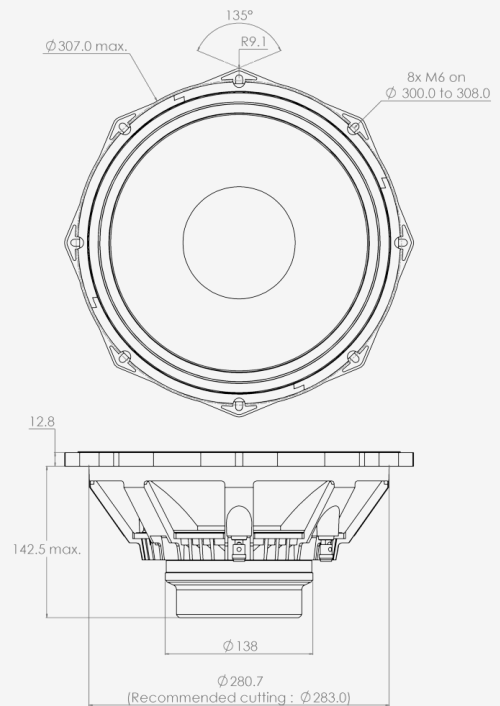
Rated impedance	Z	Ω	8
Half space sensitivity (1W@1m)	-	dB SPL	98.0
Usable freq. range	-	HZ	50 - 2500
Power handling capacity (AES)	-	W	400
Max Sound Pressure Level	SPLmax	dB SPL	121
Min. impedance modulus	Zmin	Ω@Hz	6.3@280
Voice-coil inductance @ 1kHz	Le1k	mH	1.031
Voice-coil inductance @ 10kHz	Le10k	mH	0.590
BL product	BL	N/A	25.0
Moving mass	Mms	kg	0.068

Thiele-Small parameters

Resonance frequency	Fs	Hz	47 (±6)
DC Resistance	Re	Ω	5.5 (±0.6)
Mechanical quality factor	Qms	1	4.02
Electrical quality factor	Qes	1	0.18
Total quality factor	Qts	1	0.17
Suspension compliance	Cms	10 ⁻⁶ .m/N	170
Effective piston area	Sd	m ²	0.0531
Equivalent Cas air load	Vas	m ³	0.0665
Max linear excursion	Xmax	mm	± 6.5
Linear displacement volume	Vd	10 ⁻³ .m ³	0.3451
Reference efficiency	H	%	3.8
Unity load volume	Vas.Qts ²	10 ⁻³ .m ³	1.9

Absolute maximum ratings

Short term max. input voltage	Vmax	V	115
Max.excursion before damage	Xdam	mm	± 16
Ambient operating temperature	Ta	°C	-10 to +50
Storage temperature		°C	-20 to +70
Environmental withstanding		Humidity proof	



Application information

Air volume occupied by the driver	10 ⁻³ .m ³	2.1
Speaker net mass	kg	6.2
Baffle cut-out diameter (front mounting)	mm	282.0
Bolt number & Metric diameter	-	8x M6
Bolt circle diameter	mm	300 to 308
Max overall dimension (on ears)	mm	326.5
Max overall dimension (out of ears)	mm	307.0
Flange height	mm	12.8
Max magnet diameter	mm	140.0
Max depth (front mounting)	mm	142.5
Recommended reflex box	Lts / Hz	35L / 65Hz
Electrical connection	-	Ø4 mm Push buttons