



2710

8" bass driver

| | |
|--------------------------------|---------------------|
| Nominal Diameter | 8" / 20cm |
| Rated Impedance | 8 Ω |
| Half space sensitivity (1W@1m) | 94 dB SPL |
| Power Handling Capacity | 350 W AES |
| SPL max (continuous) | 115 dB SPL |
| Usable frequency range | 60 - 3000 Hz |
| Speaker net mass | 3.65 kg |



Architecture Highlights

- Noiseless natural convection Intercooling System
- 2.80 kg lightweight ferrite magnet system with symmetric BL(x)
- High excursion suspension designed for large signal

Motor architecture

| | | |
|---------------------|----|-----------|
| Magnet material | - | Fe |
| Voice coil diameter | mm | 51 |
| Voice coil length | mm | 22 |
| Air gap height | mm | 9 |

Typical characteristics

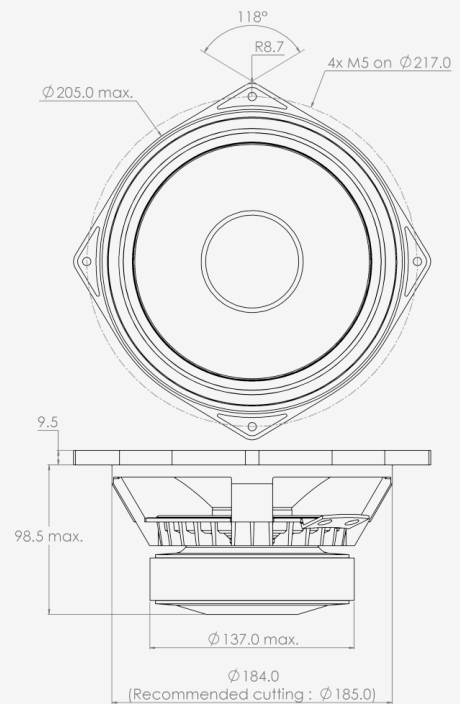
| | | | |
|--------------------------------|--------|--------|------------------|
| Rated impedance | Z | Ω | 8 |
| Half space sensitivity (1W@1m) | - | dB SPL | 94.0 |
| Usable freq. range | - | HZ | 60 - 3000 |
| Power handling capacity (AES) | - | W | 350 |
| Max Sound Pressure Level | SPLmax | dB SPL | 115 |
| Min. impedance modulus | Zmin | Ω@Hz | 9.0@350 |
| Voice-coil inductance @ 1kHz | Le1k | mH | 1.607 |
| Voice-coil inductance @ 10kHz | Le10k | mH | 0.516 |
| BL product | BL | N/A | 13.5 |
| Moving mass | Mms | kg | 0.025 |

Thiele-Small parameters

| | | | |
|----------------------------|----------------------|----------------------------------|-------------------|
| Resonance frequency | Fs | Hz | 70 (±10) |
| DC Resistance | Re | Ω | 5.5 (±0.6) |
| Mechanical quality factor | Qms | 1 | 2.75 |
| Electrical quality factor | Qes | 1 | 0.33 |
| Total quality factor | Qts | 1 | 0.30 |
| Suspension compliance | Cms | 10 ⁻⁶ .m/N | 210 |
| Effective piston area | Sd | m ² | 0.0232 |
| Equivalent Cas air load | Vas | m ³ | 0.0156 |
| Max linear excursion | Xmax | mm | ± 9.0 |
| Linear displacement volume | Vd | 10 ⁻³ .m ³ | 0.2091 |
| Reference efficiency | H | % | 1.6 |
| Unity load volume | Vas.Qts ² | 10 ⁻³ .m ³ | 1.4 |

Absolute maximum ratings

| | | | |
|-------------------------------|------|----|-------------------|
| Short term max. input voltage | Vmax | V | 105 |
| Max.excursion before damage | Xdam | mm | ± 19 |
| Ambient operating temperature | Ta | °C | -10 to +50 |
| Storage temperature | | °C | -20 to +70 |
| Environmental withstanding | | | Tropical |



Application information

| | | |
|--|----------------------------------|---------------------------|
| Air volume occupied by the driver | 10 ⁻³ .m ³ | 0.9 |
| Speaker net mass | kg | 3.65 |
| Baffle cut-out diameter (front mounting) | mm | 185.0 |
| Bolt number & Metric diameter | - | 4x M5 |
| Bolt circle diameter | mm | 217.0 |
| Max overall dimension (on ears) | mm | 234.5 |
| Max overall dimension (out of ears) | mm | 204.0 |
| Flange height | mm | 9.5 |
| Max magnet diameter | mm | 137.0 |
| Max depth (front mounting) | mm | 98.5 |
| Recommended reflex box | Lts / Hz | 17L / 60Hz |
| Electrical connection | - | 6.35x0.8 + 4.8x0.5 |

FASTON