



970Nd

Nominal Diameter	5" / 13cm
Rated Impedance	8 Ω
Half space sensitivity (1W@1m)	90 dB SPL
Power Handling Capacity	120 W AES
SPL max (continuous)	108 dB SPL
Usable frequency range	60 - 16000 Hz
Speaker net mass	1.04 kg

5 inches low-mid coaxial driver



Architecture Highlights

- Time aligned coaxial HF driver
- Noiseless natural convection Intercooling System
- Neodymium magnet system with symmetric BL(x) and Le(x)
- Long excursion suspension with linear behavior for large signal
- Lightweight basket

Motor architecture

Magnet material	-	Nd
Voice coil diameter	mm	38
Voice coil length	mm	16
Air gap height	mm	6

Typical characteristics

Rated impedance	Z	Ω	8
Half space sensitivity (1W@1m)	-	dB SPL	90.0
Usable freq. range	-	Hz	60 - 3000
Power handling capacity (AES)	-	W	120
Max Sound Pressure Level	SPLmax	dB SPL	108
Min. impedance modulus	Zmin	Ω@Hz	6.2@550
Voice-coil inductance @ 1kHz	Le1k	mH	0.346
Voice-coil inductance @ 10kHz	Le10k	mH	0.212
BL product	BL	N/A	8.1
Moving mass	Mms	kg	0.011

Thiele-Small parameters

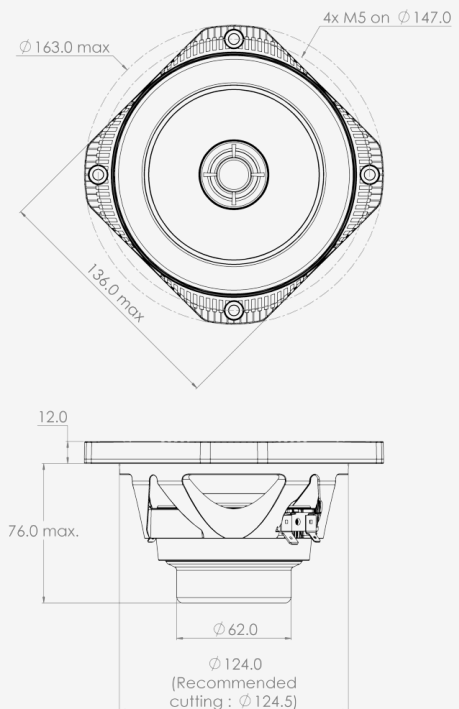
Resonance frequency	Fs	Hz	67 (±10)
DC Resistance	Re	Ω	5.7 (±0.6)
Mechanical quality factor	Qms	1	3.75
Electrical quality factor	Qes	1	0.39
Total quality factor	Qts	1	0.35
Suspension compliance	Cms	10 ⁻⁶ .m/N	530
Effective piston area	Sd	m ²	0.0092
Equivalent Cas air load	Vas	m ³	0.0062
Max linear excursion	Xmax	mm	± 6.5
Linear displacement volume	Vd	10 ⁻³ .m ³	0.0595
Reference efficiency	H	%	0.46
Unity load volume	Vas.Qts ²	10 ⁻³ .m ³	0.8

Absolute maximum ratings

Short term max. input voltage	Vmax	V	60
Max.excursion before damage	Xdam	mm	± 12
Ambient operating temperature	Ta	°C	-10 to +50
Storage temperature		°C	-20 to +70
Environmental withstanding			Tropical

Coaxially mounted HF Unit

HF Rated impedance	Z	W	4
HF Half space sensitivity (1W@1m)	-	dB SPL	97
HF Usable freq. range	-	Hz	2000 - 16000
HF Power handling capacity (AES)	-	W	30



Application information

Air volume occupied by the driver	10 ⁻³ .m ³	0.18
Speaker net mass	kg	1.04
Baffle cut-out diameter (front mounting)	mm	124.5
Bolt number & Metric diameter	-	4x M5
Bolt circle diameter	mm	147.0
Max overall dimension (on ears)	mm	163.0
Max overall dimension (out of ears)	mm	136.0
Flange height	mm	12.5
Max magnet diameter	mm	-
Max depth (front mounting)	mm	76.0
Recommended reflex box	Lts / Hz	8L / 60Hz
Electrical connection	-	6.35x0.8 + 4.8x0.5

FASTON